

UF-D DC Flashing Light

User Manual





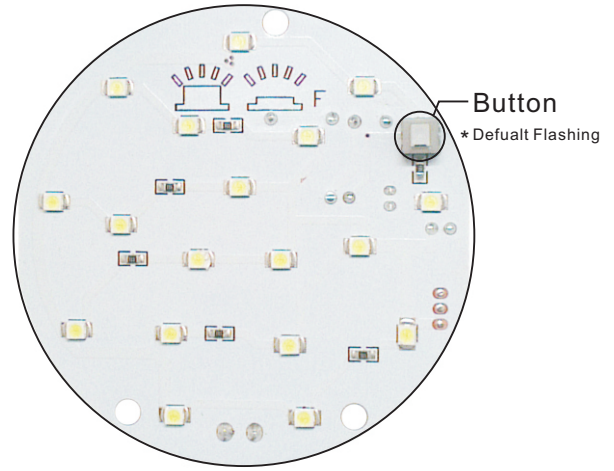
Security Guide

⚠ Please read the manual carefully before use this unit.

Technical Specifications

Operating Voltage	DC 12V~36V
Electric Light Source	LED
Luminous Mode	Flashing / Constant
Housing Material	Aluminum Alloy

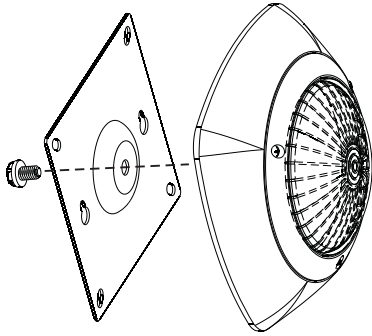
Turn opening the screws of the flashing light, press the button of the control board. “” is flashing, “” is constant.



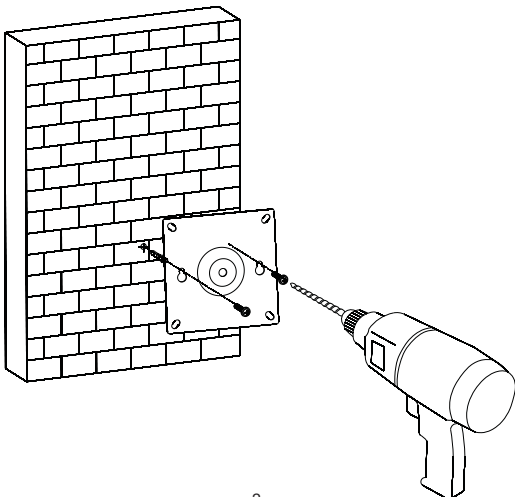
1

Mounting

1. Fix the flashing light onto the baseboard.

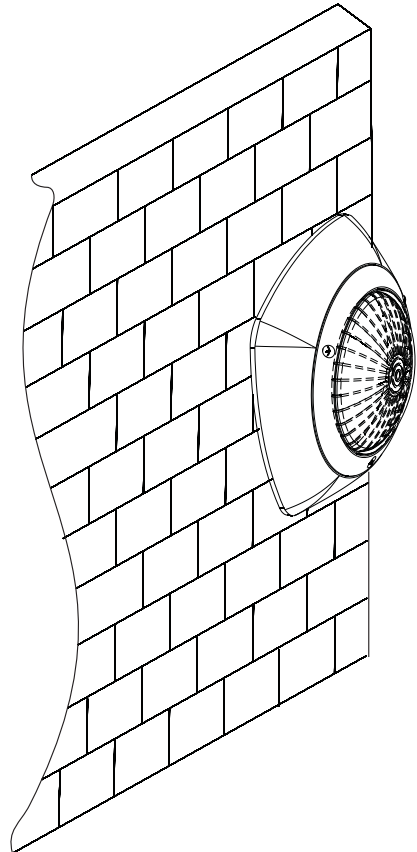


2. Make holes according to the manual. Put the plug into the hole first, and then install the screws.

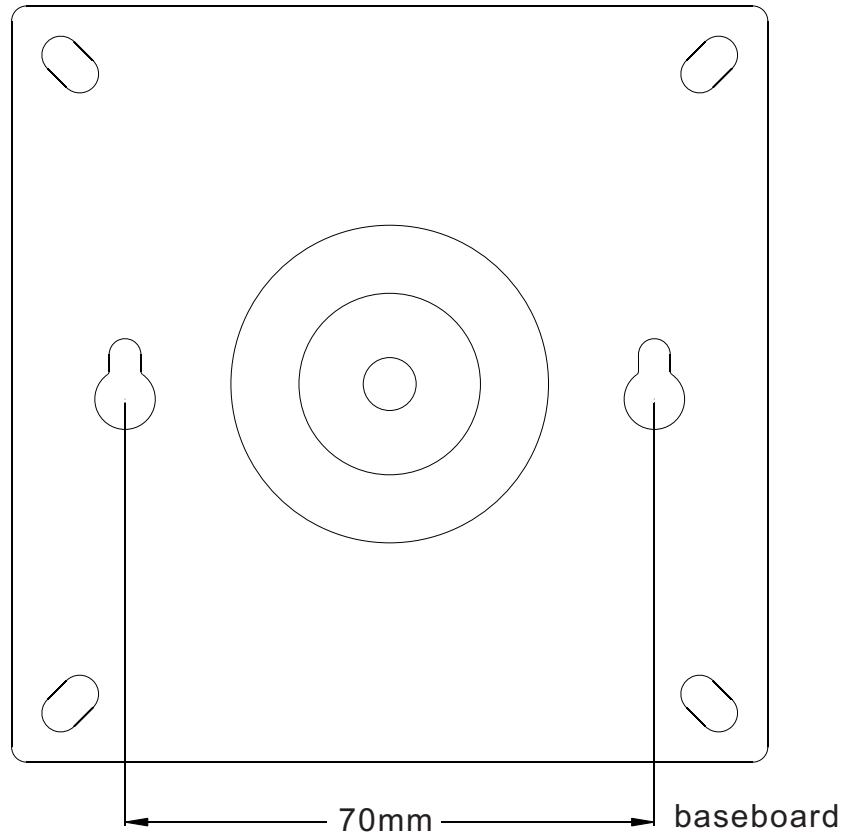


2

3. Hang the flashing light onto the screws, then wiring to the control box.



3



* Please make holes according to the draft.

